



jaga



*TOP
PERFORMERS*

JAGA AVS UNIT HEATER

€ 2016-2017.EX



TOP
PERFORMERS

JAGA AVS[®] UNIT HEATER

Air Venturi System included

The Jaga unit heater is the master of air flow. Even in the biggest spaces. Its secret weapon? The Air Venturi System, which immediately blends heated air with the ambient air. The result: faster heating, better temperature distribution, lower energy consumption. Talk about great results!

For more information:
www.theradiatorfactory.com





JAGA AVS® AIR VENTURI SYSTEM

LOWER EXHAUST TEMPERATURE WITH AN EQUAL CAPACITY

The stepless Venturi System can be adjusted continuously and is incorporated as standard in each Jaga AVS®. The result is a direct mixing of the heated air with the ambient air. The exhaust air temperature drops and the hot air heat carrying capacity increases, without any loss of output.

BETTER HEATING UP SPEED

All Jaga unit heaters are equipped with the unique Air Venturi System as standard. The result is a lower exhaust temperature combined with an equal capacity which create a significant improvement in the heat carrying capacity and the temperature distribution. This system offers a number of additional and innovative control options.

LOWER ENERGY CONSUMPTION

Due to an improved temperature distribution with the AVS-system, the running times are much shorter. This significantly reduces energy consumption.

ATTRACTIVE FINISH

A totally new construction without any visible screws or rivets. A high quality sandblasted grey lacquered (001) finish which is scratch resistant and dirt repellent. Aerodynamic exhaust made of satin black lacquered aluminium. Easy to install, left / right reversible.

ZIEHL-ABEGG EXTERNAL MOTOR

With thermocontacts and a protective grille. Suitable for speed control and for use in combination with complementary elements. Provided with a terminal box on the motor or alternately on the side of the unit heater.

LOW-H₂O HEAT EXCHANGER

Heat exchanger made from aluminium fins placed on mechanically extended copper tubes, which are connected to brass collectors. The ideal combination of these materials guarantees perfect heat conductivity. Heat output from 7 up to 77 kiloWatts. Supplied in a complete series with brackets for different fixings and achievable in the same colour with all accessories.

HEATED INDIRECTLY

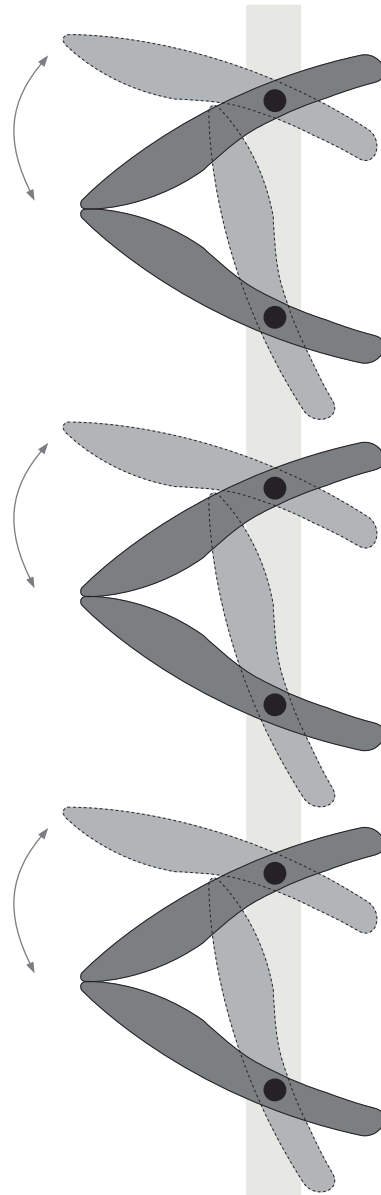
- no exhaust fumes
- higher efficiency
- better control
- safer

APPLICATIONS

Industrial buildings, sports halls, warehouses, garages, supermarkets, exhibition halls, commercial centres, conservatories, etc...

The mini unit heater from Jaga has the same qualities as his bigger brothers, but with an output of 5.8 to 12.5 kW.

Ideal to use in greenhouses, garages, exhibition- or shopping spaces, and in rooms that are used only occasionally, and that need to heat up quickly.

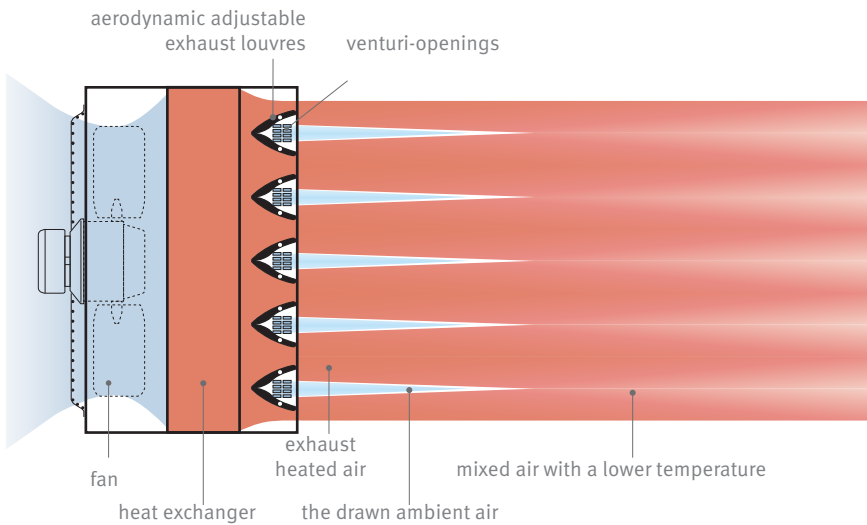


Advantages

- higher comfort
- lower energy cost
- faster heating up speed
- equal temperature
- adjustable heat carrying capacity

For more information:
www.theradiatorfactory.com

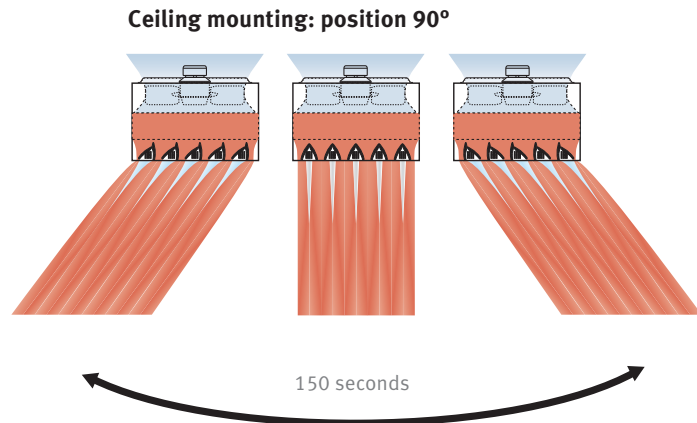
THE ADJUSTABLE LOUVRES IN VENTURI POSITION



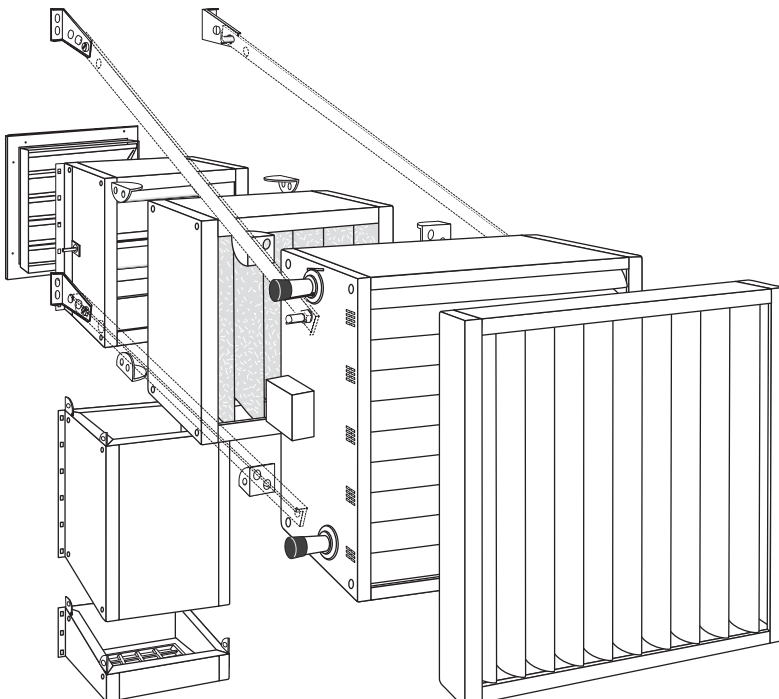
Both the exhaust direction and the heat carrying capacity can be adjusted. By adding cooler ambient air the exhaust temperature will drop and a more stable air jet and larger heat carrying capacity will be obtained.

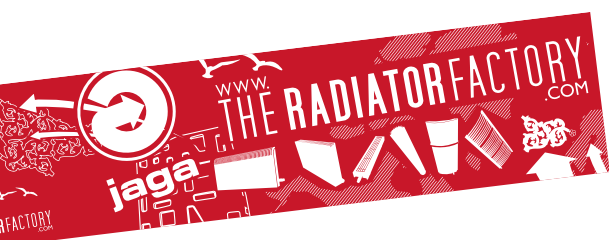
THE MODULATING AVS® VERSION

With the modulating AVS version the exhaust louvres are linked in pairs and connected with a servo motor. This motor produces a continuous back and forth movement of the adjustable louvres. The air turbulence thus created provides an even better temperature distribution. The angle of movement can easily be adjusted from 0 to 90°. A complete cycle takes around 150 seconds.



ALL AVAILABLE OPTIONS





Jaga International
Verbindingslaan z/n
B-3590 Diepenbeek

Tel.: +32 (0)11 29 41 16
Fax: +32 (0)11 29 41 60
export@jaga.be

The information in this price list is correct at the time of printing.
Jaga reserves the right to change product specification at any time in line
with our policy of continuous improvement and innovation.
All prices in Euro, exclude VAT. Prices valid from 1st August 2016.
Replaces all existing price lists.