

jaga



Energy
SAVERS
LOW-H₂O

TEMPO FREESTANDING

€ 2016-2017.EX



Energy
SAVERS
LOW-H₂O

TEMPO FREESTANDING

Warm power, simple style

- The Jaga classic for rooms with glazed façades. Efficient, freestanding Low H₂O technology.
- No wasteful heat loss from radiation through glazing.
- Light, compact and easy to handle packaging.
- Suitable for integrated valve.
- Low-H₂O technology with super conductive and ultra fast heat exchanger for low energy consumption and maximum heat emission.
- Twin Power for better compensation of the downward cold air flow next to glazed façades or ventilation grilles.
- Safe surface temperature.
- **A 30 year guarantee** on the heat exchanger.

Also available as a wall mounted model. See page 50.

TEMPO FREESTANDING white 101 (RAL 9010)



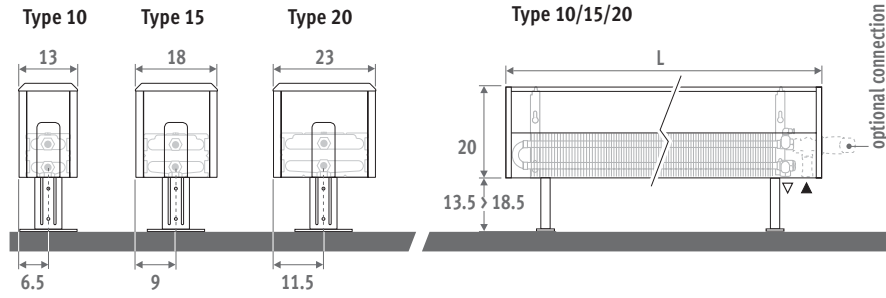


TEMPO FREESTANDING



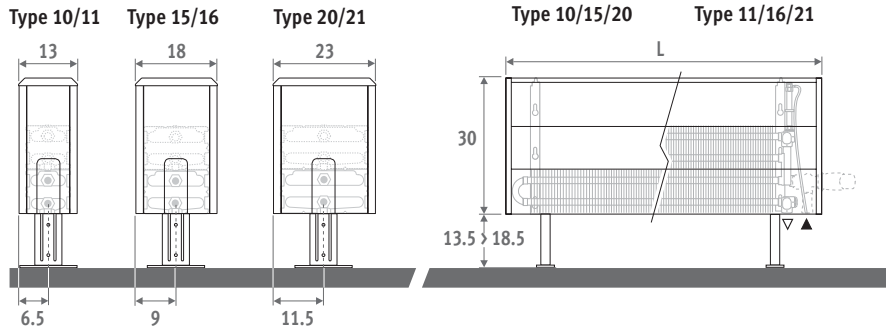
DIMENSIONS (in cm)

HEIGHT 020

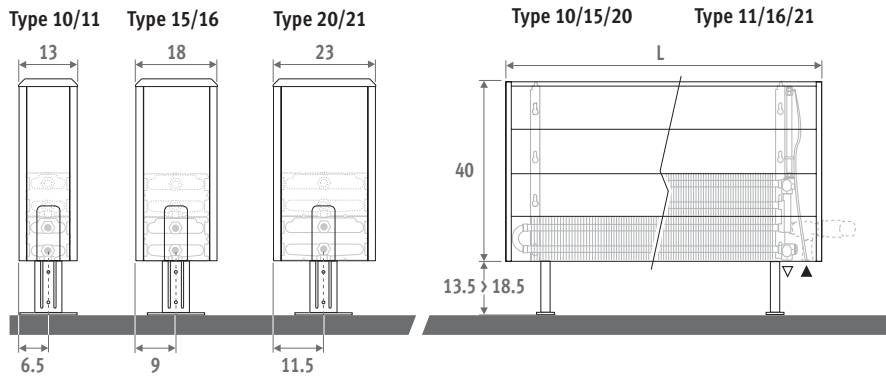


Also available as a wall mounted model. See page 50.

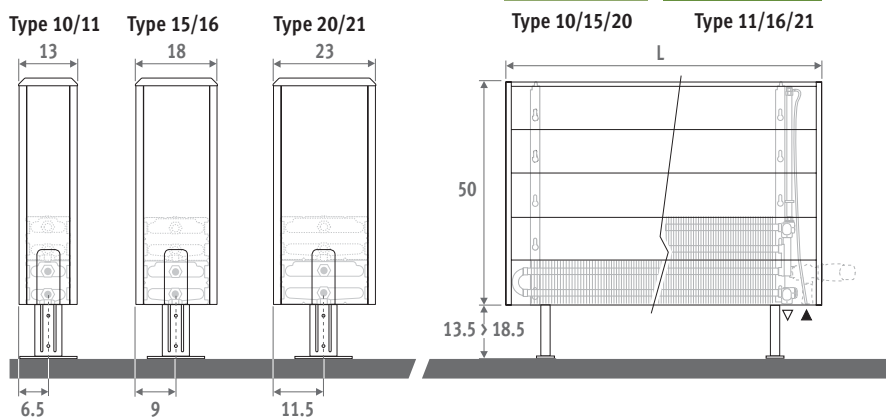
HEIGHT 030



HEIGHT 040



HEIGHT 050



TEMPO FREESTANDING



DELIVERY

Light and easily installed by one person. Delivered flat packed in 2 packages for ease of handling and storage.

standard delivery:

- Low-H₂O heat exchanger with air vent elbow (standard) or extended air vent (twin) 1/8" and drain plug 1/2"
- easy to mount casing with one closed side panel and one open panel for TRV head. The side panels can be mounted both left or right.
- standard adjustable feet in neutral grey

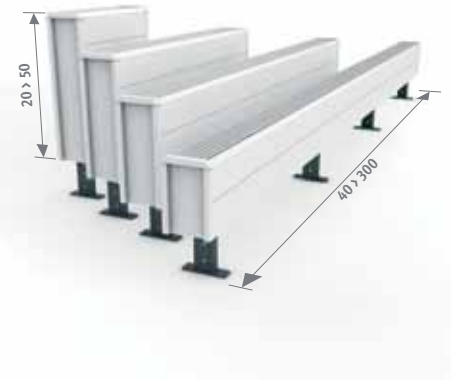
COLOUR

Scratch-resistant surface coating with a soft structured, satin gloss finish. High UV resistance.

Standard colour: white RAL 9010 (101)

CONNECTION

Standard connection: bottom end left or right



OPTIONS

Feet in the same colour as the casing

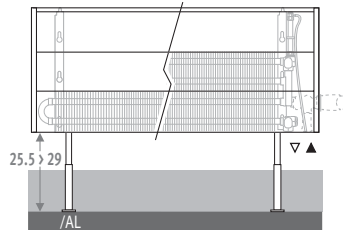
For feet in the same colour as the casing, repeat the colour code after the code of the radiator. Ex.: TEMF. HHH LLL TT.101/101

Surcharge	€	
Length casing		
040 > 120	2 feet	15,50
140 > 220	3 feet	23,30
240 > 300	4 feet	31,10

Extended adjustable feet

- For installation on a rough subfloor or computer floor.
- For extended feet in neutral grey, add /AL to the ordering code. Ex.: TEMF. 020 040 10.101/AL
- For extended feet in the same colour as the casing, add /AL to the ordering code and repeat the colour code. Ex.: TEMF. 020 040 10.101/AL/101

Surcharge	€		€
Length casing	grey	colour	
040 > 120	2 feet	7,00	25,90
140 > 220	3 feet	10,50	38,90
240 > 300	4 feet	13,90	51,90



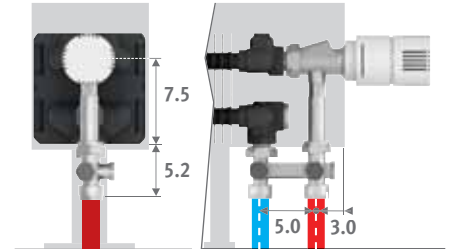
ORDERING CODE

code	height	length	type	colour
TEMF .	020	040	10 .	XXX
fill in colour code				

CONNECTION SETS

Jaga H-valve to the floor for one or two pipe

TRV head and sleeve couplings Eurocone 3/4" included.



set 104

CODE	1-PIPE/2-PIPE	€
	COLO.HBSF.JC.4...	80,10
	COLO.HBSF.JW.4...	70,70

fill in sleeve coupling code

Precision metal tube 14/1	114
Precision metal tube 15/1	115
Precision metal tube 16/1	116
RPE/ALU tube 16/2	616

Other connection sets and sleeve couplings

See chapter "Connection sets and valves" for all connection options and technical information



TEMPO FREESTANDING

TEMF.HHH LLL TT.101

	STANDARD			
	Type	Watts	Watts	€
		75/65	55/45	
L	H 020			
040	10	262	127	153,50
	15	436	212	174,90
	20	613	299	197,40
050	10	328	159	163,80
	15	545	265	188,90
	20	766	373	214,20
060	10	393	191	174,30
	15	654	319	202,80
	20	919	448	231,80
070	10	459	223	195,50
	15	763	372	230,00
	20	1072	522	266,20
080	10	524	255	205,90
	15	872	425	244,50
	20	1226	597	284,30
090	10	590	287	217,60
	15	981	478	259,80
	20	1379	672	303,70
100	10	655	318	236,30
	15	1090	531	283,20
	20	1532	746	333,90
110	10	721	350	248,40
	15	1199	584	301,60
	20	1685	821	354,60
120	10	786	382	258,50
	15	1308	637	314,90
	20	1838	895	372,80
140	10	917	446	303,70
	15	1526	743	368,00
	20	2145	1045	455,10
160	10	1048	509	344,40
	15	1744	850	423,90
	20	2451	1194	527,90
180	10	1179	573	369,80
	15	1962	956	458,20
	20	2758	1343	570,40
200	10	1310	637	399,10
	15	2180	1062	517,50
	20	3064	1493	617,80
220	10	1441	700	446,90
	15	2398	1168	584,00
	20	3370	1642	701,90
240	10	1572	764	492,30
	15	2616	1274	639,30
	20	3677	1791	766,90
260	10	1703	827	519,50
	15	2834	1381	676,40
	20	3983	1940	813,50
280	10	1834	891	554,00
	15	3052	1487	720,10
	20	4290	2090	866,60
300	10	1965	955	579,20
	15	3270	1593	754,00
	20	4596	2239	910,20

	STANDARD			
	Type	Watts	Watts	€
		75/65	55/45	
H	030			
10	330	161	166,70	
	544	267	188,20	
	762	373	210,30	
15	413	202	177,90	
	680	333	202,80	
	953	467	228,10	
20	496	242	190,30	
	815	399	218,60	
	1144	561	247,70	
10	578	282	213,50	
	951	466	247,90	
	1334	654	284,00	
10	661	323	224,80	
	1087	533	263,30	
	1525	747	303,20	
10	743	363	238,40	
	1223	599	280,60	
	1715	841	324,30	
10	826	403	259,10	
	1359	666	306,20	
	1906	934	356,70	
10	909	444	273,40	
	1495	733	326,30	
	2097	1028	379,30	
10	991	484	284,20	
	1631	799	340,50	
	2287	1121	398,50	
10	1156	565	335,10	
	1903	933	399,40	
	2668	1308	486,00	
10	1322	646	378,70	
	2174	1066	458,20	
	3050	1495	562,10	
10	1487	726	407,70	
	2446	1199	496,10	
	3431	1682	608,20	
10	1652	807	442,20	
	2718	1332	560,40	
	3812	1868	660,50	
10	1817	887	492,60	
	2990	1465	629,90	
	4193	2055	747,50	
10	1982	968	542,60	
	3262	1599	689,70	
	4574	2242	817,00	
10	2148	1049	572,80	
	3533	1732	729,60	
	4956	2429	866,50	
10	2313	1130	611,90	
	3805	1865	778,10	
	5337	2616	924,10	
10	2478	1210	639,90	
	4077	1998	814,80	
	5718	2802	970,70	

	TWIN			
	Type	Watts	Watts	€
		75/65	55/45	
11	448	215	241,70	
	592	281	275,90	
	779	368	289,70	
11	561	269	258,70	
	740	352	298,60	
	974	460	315,30	
11	673	323	275,40	
	888	422	321,30	
	1169	552	342,20	
11	785	376	310,50	
	1036	492	367,20	
	1364	644	394,40	
11	897	430	327,80	
	1184	563	390,80	
	1558	736	421,80	
11	1009	484	345,80	
	1332	633	416,40	
	1753	828	450,60	
11	1121	537	376,60	
	1480	703	455,60	
	1948	920	497,00	
11	1233	591	396,50	
	1628	774	483,30	
	2143	1012	528,30	
11	1345	645	413,00	
	1776	844	506,70	
	2338	1105	555,70	
11	1569	752	476,80	
	2072	985	583,90	
	2727	1288	674,20	
11	1794	860	544,00	
	2368	1126	676,60	
	3117	1473	784,60	
11	2018	967	585,30	
	2664	1266	732,90	
	3506	1656	849,20	
11	2242	1074	631,60	
	2960	1407	832,10	
	3896	1841	919,80	
11	2466	1182	709,90	
	3256	1548	943,00	
	4286	2025	1047,10	
11	2690	1289	775,30	
	3552	1688	1024,70	
	4675	2209	1138,90	
11	2915	1397	819,20	
	3848	1829	1085,20	
	5065	2393	1208,70	
11	3139	1504	871,40	
	4144	1970	1153,30	
	5454	2577	1286,50	
11	3363	1612	912,80	
	4440	2110	1209,50	
	5844	2761	1352,90	

EN442 output at 20°C room temperature

TEMPO FREESTANDING

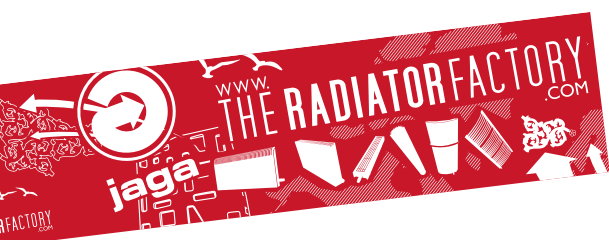
TEMF.HHH LLL TT.101



		STANDARD				TWIN			
L	H 040	Type	Watts	Watts	€	Type	Watts	Watts	€
			75/65	55/45			75/65	55/45	
	040	10	385	189	179,20	11	506	243	254,30
		15	627	309	203,60	16	680	323	291,60
		20	878	433	227,00	21	910	428	306,30
	050	10	482	236	191,50	11	632	303	272,20
		15	784	386	219,20	16	850	403	315,30
		20	1098	541	245,50	21	1137	535	332,90
	060	10	578	284	205,90	11	758	363	291,00
		15	941	464	237,20	16	1020	484	340,00
		20	1318	650	267,20	21	1364	641	361,70
	070	10	674	331	231,00	11	885	424	327,80
		15	1098	541	268,40	16	1190	564	387,60
		20	1537	758	305,20	21	1592	749	415,70
	080	10	770	378	243,30	11	1011	485	346,00
		15	1254	618	284,70	16	1360	645	412,30
		20	1757	866	325,60	21	1819	855	444,20
	090	10	867	425	258,60	11	1138	546	365,90
		15	1411	695	303,90	16	1530	726	439,70
		20	1976	974	348,60	21	2047	963	474,70
	100	10	963	472	281,50	11	1264	606	398,70
		15	1568	773	331,40	16	1700	806	480,90
		20	2196	1083	382,90	21	2274	1069	523,20
	110	10	1059	520	297,90	11	1390	666	420,70
		15	1725	850	353,60	16	1870	887	510,90
		20	2416	1191	407,60	21	2501	1176	556,50
	120	10	1156	567	309,50	11	1517	727	438,20
		15	1882	928	368,70	16	2040	968	535,00
		20	2635	1299	427,60	21	2729	1283	584,70
	140	10	1348	661	365,80	11	1770	849	507,40
		15	2195	1082	434,00	16	2380	1129	618,90
		20	3074	1516	521,70	21	3184	1497	710,00
	160	10	1541	756	412,30	11	2022	969	577,40
		15	2509	1237	495,80	16	2720	1290	714,50
		20	3514	1733	600,50	21	3638	1711	822,90
	180	10	1733	850	445,30	11	2275	1091	622,50
		15	2822	1391	537,40	16	3060	1452	774,50
		20	3953	1949	650,40	21	4093	1925	891,50
	200	10	1926	945	484,40	11	2528	1212	673,70
		15	3136	1546	606,60	16	3400	1613	878,90
		20	4392	2166	707,60	21	4548	2139	967,10
	220	10	2119	1040	537,90	11	2781	1333	754,80
		15	3450	1700	678,80	16	3740	1774	992,40
		20	4831	2382	797,80	21	5003	2353	1097,30
	240	10	2311	1134	592,60	11	3034	1455	824,80
		15	3763	1855	744,50	16	4080	1935	1079,60
		20	5270	2599	872,60	21	5458	2567	1194,60
	260	10	2504	1229	625,50	11	3286	1576	871,50
		15	4077	2009	787,20	16	4420	2097	1143,00
		20	5710	2816	925,20	21	5912	2780	1267,20
	280	10	2696	1323	669,50	11	3539	1697	928,50
		15	4390	2164	840,10	16	4760	2258	1215,80
		20	6149	3032	987,30	21	6367	2994	1349,70
	300	10	2889	1417	700,50	11	3792	1818	972,80
		15	4704	2318	879,90	16	5100	2419	1275,00
		20	6588	3249	1036,90	21	6822	3208	1419,10

		STANDARD				TWIN			
H 050		Type	Watts	Watts	€	Type	Watts	Watts	€
			75/65	55/45			75/65	55/45	
	10	430	212	193,90	11	554	266	268,90	
	15	694	344	219,90	16	759	359	307,80	
	20	970	481	244,90	21	1033	484	323,90	
	10	538	265	206,70	11	693	332	287,60	
	15	867	430	236,00	16	949	449	332,10	
	20	1213	602	264,10	21	1291	605	351,20	
	10	646	318	223,40	11	832	399	308,50	
	15	1040	516	256,10	16	1139	539	358,90	
	20	1455	722	287,90	21	1549	725	382,10	
	10	753	371	250,10	11	970	465	347,10	
	15	1214	602	289,10	16	1329	629	408,30	
	20	1698	842	327,90	21	1807	846	438,00	
	10	861	424	263,60	11	1109	532	366,30	
	15	1387	688	306,40	16	1518	719	434,20	
	20	1940	962	348,90	21	2066	968	467,50	
	10	968	477	280,80	11	1247	598	388,30	
	15	1561	774	327,50	16	1708	809	463,40	
	20	2183	1083	374,00	21	2324	1088	500,00	
	10	1076	530	305,60	11	1386	665	423,00	
	15	1734	860	357,10	16	1898	898	506,60	
	20	2425	1203	410,30	21	2582	1209	550,60	
	10	1184	584	324,00	11	1525	732	447,10	
	15	1907	946	381,50	16	2088	988	538,70	
	20	2668	1323	437,10	21	2840	1330	585,90	
	10	1291	636	336,50	11	1663	798	465,40	
	15	2081	1032	397,30	16	2278	1078	563,60	
	20	2910	1443	457,80	21	3098	1451	614,90	
	10	1506	742	398,40	11	1940	931	540,10	
	15	2428	1204	468,40	16	2657	1258	653,30	
	20	3395	1684	558,50	21	3615	1693	746,60	
	10	1722	849	447,70	11	2218	1064	613,20	
	15	2774	1376	533,20	16	3037	1438	751,90	
	20	3880	1924	640,30	21	4131	1935	862,60	
	10	1937	955	484,50	11	2495	1197	661,90	
	15	3121	1548	578,40	16	3416	1617	815,50	
	20	4365	2165	693,90	21	4648	2177	934,70	
	10	2152	1061	528,50	11	2772	1330	718,10	
	15	3468	1720	652,70	16	3796	1797	924,70	
	20	4850	2405	756,10	21	5164	2418	1015,00	
	10	2367	1167	584,90	11	3049	1463	802,00	
	15	3815	1892	727,80	16	4176	1977	1041,30	
	20	5335	2646	848,90	21	5680	2660	1148,30	
	10	2582	1273	644,00	11	3326	1596	876,50	
	15	4162	2064	798,30	16	4555	2156	1133,60	
	20	5820	2886	929,30	21	6197	2902	1251,00	
	10	2798	1379	679,90	11	3604	1729	926,30	
	15	4508	2236	844,10	16	4935	2336	1199,80	
	20	6305	3127	984,70	21	6713	3144	1326,60	
	10	3013	1485	728,40	11	3881	1862	987,90	
	15	4855	2408	901,60	16	5314	2516	1277,40	
	20	6790	3367	1051,80	21	7230	3386	1413,80	
	10	3228	1591	762,20	11	4158	1995	1035,10	
	15	5202	2580	944,40	16	5694	2695	1339,60	
	20	7275	3608	1104,20	21	7746	3628	1486,10	

EN442 output at 20°C room temperature



Jaga International
Verbindingslaan z/n
B-3590 Diepenbeek

Tel.: +32 (0)11 29 41 16
Fax: +32 (0)11 29 41 60
export@jaga.be

The information in this price list is correct at the time of printing.
Jaga reserves the right to change product specification at any time in line
with our policy of continuous improvement and innovation.
All prices in Euro, exclude VAT. Prices valid from 1st August 2016.
Replaces all existing price lists.