



jaga



TOP
PERFORMERS

BRIZA

€ 2016-2017.EX



JAGA TOP PERFORMERS

BRIZA

Super slim and powerful heating, cooling

Briza is a climate unit with a dual personality: a Hybrid that provides comfortable heat in winter and refreshing cooling in summer. It provides you with an optimum indoor climate throughout the year.

The power behind the Briza comfort system is the ingenious Low-H₂O technology, combined with a near silent dynamic system. Briza is the slimmest hybrid available on the market with this much power. It's like putting the power of a Jaga Ventilò in a slender design radiator. That also makes Briza ideal for connecting to low-temperature systems like heat pumps, solar energy systems and condensing boilers.

Using the latest EC motors enables Brizas to consume up to 50% less electrical energy than traditional motors, and enables remote control using the latest home automation and building management systems.



Suitable for non-condensing and condensing cooling with chilled water



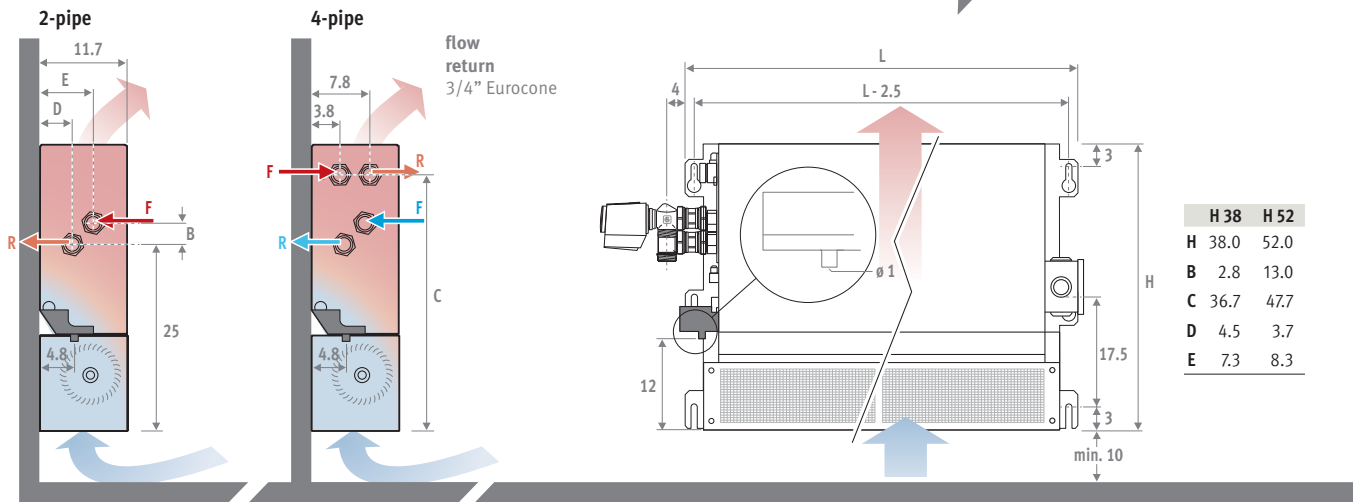
BRIZA sandblast grey



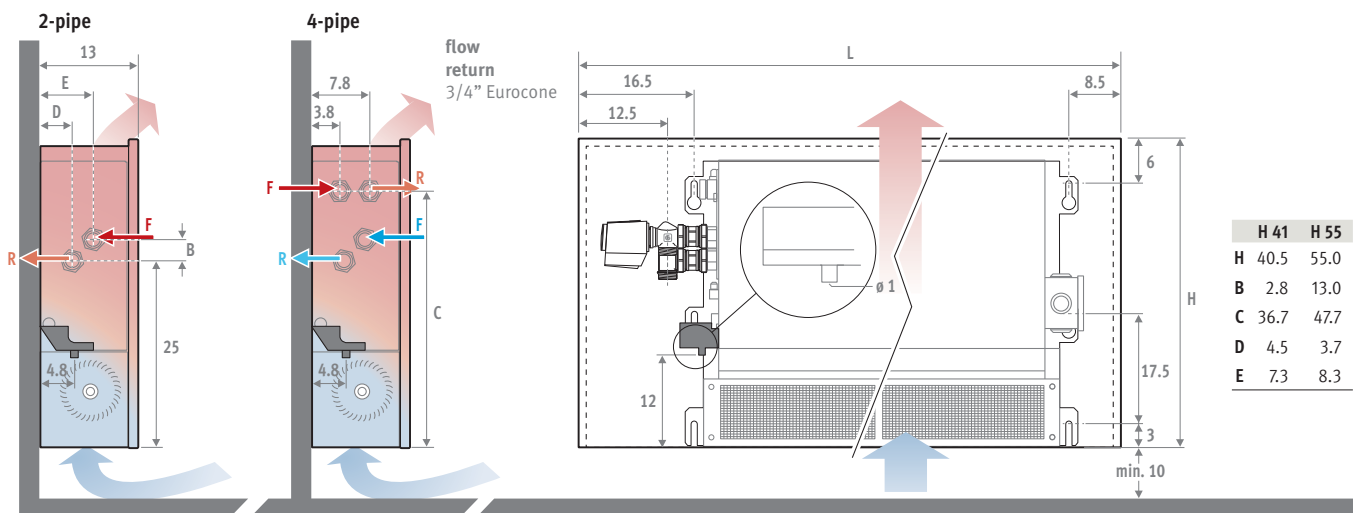


DIMENSIONS (in cm)

BUILDING-IN BZBW/BZBC



WITH CASING BZMW/BZMC



ORDERING CODE 2-PIPE

code height length colour conn.
BZMW . 041 075 . XXX /20
 enter colour code ↓

ORDERING CODE 4-PIPE

code height length colour 4-pipe conn.
BZMW . 041 075 . XXX /4 /20
 enter colour code ↓

EASY TO INSTALL

The Briza is light and compact. The construction is designed to have sufficient space for simple connection and installation of accessories within the dimensions of the Briza.

STANDARD DELIVERY

Pre-assembled radiator, delivered in a practical cardboard box. For shops, offices, schools, hotels, conference rooms, etc...

Type BZMC and BZMW are equipped with a casing in sendzimir galvanized steel plate with an aluminum top grille, finished in the same colour as the radiator.

Standard delivery includes:

- tangential activators with aluminium fins, ball bearings and resin-coated EPDM vibration damping
- stainless steel air filter
- ABS condensation tray with drain

COLOURS

Scratch resistant epoxy-polyester finish with a structured satin gloss surface. High UV resistance.

Standard colours:

- traffic white RAL 9016 (133), soft touch lightly structured satin lacquer
- sandblast grey (001), fine texture metallic lacquer

Other colours: see colour chart

HYDRAULIC CONNECTION & ELECTRICAL CONNECTION

Jaga's extensive range offers a Briza for every application:

- heating or cooling using a 2-pipe heat exchanger for hydraulic heating systems.
- heating and cooling using two 4-pipe heat exchangers for two separated hydraulic systems.

Standard connection:

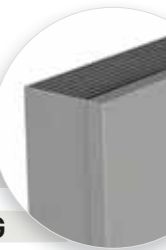
- hydraulic connections eurocone 3/4" on the left hand side
- clamp connector for electric connection 24 VDC, to connect via an external power supply, on the right hand side.

Other connections:

- hydraulic right, electric left: connection code /70 instead of /20. No surcharge.



In all ceiling models, the hydraulic connection and the condensate drain are always on the left!



2-PIPE

		HEATING									COOLING						WALL		CEILING			
		Watts 75/65/20°C			Watts 55/45/20°C			Watts 35/30/20°C			Watts total 7/12°C - 25°C D.B. 50% R.H.			Watts sensible 7/12°C - 25°C D.B. 50% R.H.			€	€	€	€		
		max.	med.	min.	max.	med.	min.	max.	med.	min.	max.	med.	min.	max.	med.	min.	st. colour	other	st. colour	other		
H L BUILDING-IN																				BZBW.HHH LLL /20	BZBC.HHH LLL /20	
038	052	1836	1421	1068	1102	852	641	459	355	267	486	390	280	365	273	210	534,70	---	534,70	---		
	072	3021	2247	1757	1813	1350	1054	755	563	439	800	622	460	600	476	345	581,60	---	581,60	---		
	102	4798	3655	2791	2879	2190	1675	1200	913	698	1270	971	730	953	732	548	723,20	---	723,20	---		
	122	5983	4611	3479	3590	2760	2087	1496	1150	870	1584	1223	910	1188	911	683	775,10	---	775,10	---		
052	052	2717	2269	1596	1630	1361	958	679	567	399	721	602	423	540	451	317	691,30	---	691,30	---		
	072	4499	3757	2643	2700	2254	1586	1125	939	661	1193	997	701	894	746	525	775,10	---	775,10	---		
	102	7172	5988	4213	4303	3593	2528	1793	1497	1053	1902	1588	1117	1425	1190	837	963,60	---	963,60	---		
	122	8953	7476	5259	5372	4486	3156	2238	1869	1315	2375	1983	1395	1779	1485	1045	1052,70	---	1052,70	---		
H L WITH CASING																				BZMW.HHH LLL .XXX/20	BZMC.HHH LLL .XXX/20	
041	075	1670	1292	972	1002	775	583	418	323	243	442	354	254	332	245	191	623,50	692,10	623,50	692,10		
	095	2749	2047	1598	1649	1229	959	687	512	400	728	564	418	546	472	313	681,30	756,20	681,30	756,20		
	125	4366	3321	2540	2620	1993	1524	1092	830	635	1155	882	664	867	664	498	845,90	938,70	845,90	938,70		
	145	5444	4186	3165	3267	2512	1900	1361	1047	791	1441	1110	888	1081	828	621	905,70	1005,50	905,70	1005,50		
055	075	2588	2161	1520	1553	1297	912	647	540	380	686	573	403	514	429	302	801,30	881,40	801,30	881,40		
	095	4285	3578	2517	2571	2147	1510	1071	895	629	1137	949	668	851	711	500	890,20	979,40	890,20	979,40		
	125	6830	5703	4012	4098	3422	2407	1708	1426	1003	1812	1513	1064	1357	1133	797	1105,00	1215,50	1105,00	1215,50		
	145	8527	7120	5009	5116	4272	3005	2132	1780	1252	2264	1889	1329	1694	1415	995	1204,60	1325,00	1204,60	1325,00		

4-PIPE

		HEATING									COOLING						WALL		CEILING			
		Watts 75/65/20°C			Watts 55/45/20°C			Watts 35/30/20°C			Watts total 7/12°C - 25°C D.B. 50% R.H.			Watts sensible 7/12°C - 25°C D.B. 50% R.H.			€	€	€	€		
		max.	med.	min.	max.	med.	min.	max.	med.	min.	max.	med.	min.	max.	med.	min.	st. colour	other	st. colour	other		
H L BUILDING-IN																				BZBW.HHH LLL /4/20	BZBC.HHH LLL /4/20	
038	052	1468	1136	854	881	682	513	367	284	214	388	312	224	292	216	168	633,50	---	633,50	---		
	072	2416	1800	1405	1450	1080	843	604	450	351	640	496	368	480	376	278	696,30	---	696,30	---		
	102	3838	2920	2232	2303	1752	1340	960	730	558	1016	776	584	762	480	438	884,80	---	884,80	---		
	122	4786	3680	2783	2872	2208	1670	1197	920	696	1264	976	728	950	728	546	958,60	---	958,60	---		
052	052	1157	895	673	694	537	404	289	224	168	541	451	318	405	338	238	764,60	---	764,60	---		
	072	1903	1418	1107	1142	851	664	476	354	277	895	747	526	670	560	394	864,10	---	864,10	---		
	102	3023	2300	1758	1814	1380	1055	756	575	440	1427	1191	838	1069	892	628	1063,10	---	1063,10	---		
	122	3769	2898	2192	2262	1739	1315	942	725	548	1781	1487	1046	1334	1114	784	1173,10	---	1173,10	---		
H L WITH CASING																				BZMW.HHH LLL .XXX/4/20	BZMC.HHH LLL .XXX /4/20	
041	075	1336	1033	777	802	620	467	334	258	194	353	283	203	265	196	152	722,20	802,80	723,20	802,80		
	095	2199	1638	1279	1320	983	767	550	410	320	582	451	334	436	342	251	796,00	883,60	796,00	883,60		
	125	3492	2657	2031	2096	1594	1219	873	664	508	924	706	531	693	531	398	1008,50	1119,20	1008,50	1119,20		
	145	4355	3348	2532	2613	2009	1520	1089	837	633	1153	888	662	864	662	497	1089,30	1209,00	1089,30	1209,00		
055	075	1102	852	641	661	511	384	275	213	160	515	430	302	386	322	227	874,60	962,60	874,60	961,60		
	095	1813	1350	1054	1088	810	633	453	338	264	852	712	501	639	533	375	979,40	1077,30	979,40	1077,30		
	125	2879	2190	1675	1727	1314	1005	720	548	419	1359	1135	798	1018	850	598	1204,60	1315,10	1204,60	1315,10		
	145	3590	2760	2087	2154	1656	1252	897	690	522	1696	1416	996	1271	1061	746	1325,00	1445,40	1325,00	1445,40		

BRIZA - TECHNICAL INFORMATION

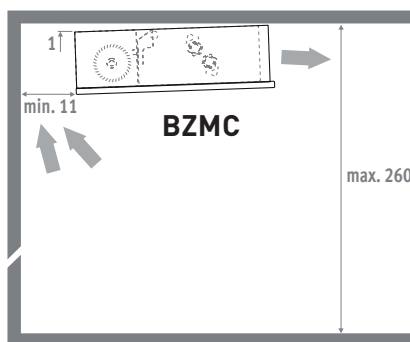
		SOUND PRESSURE** <i>according to ISO 3741:2010</i>			RATED INPUT			AIR FLOW <i>with clean filters</i>			WATER FLOW <i>litre/h</i>			
		dB(A)			Watts			m³/h			heating		cooling	
		max.*	med.*	min.*	max.*	med.*	min.*	max.*	med.*	min.*	2-pipe	4-pipe	2-pipe	4-pipe
H	L													
038/041	052/075	39.8	32.1	22.3	17	10	4	250	195	125	158	126	83	67
	072/095	40.2	33.0	23.4	18	11	5	400	300	200	260	208	137	110
	102/125	41.5	34.2	23.7	24	14	7	500	390	250	412	330	218	174
	122/145	42.5	35.3	24.9	26	17	9	725	511	302	514	411	272	217
052/055	052/075	39.8	32.1	22.3	15	9	4	223	173	119	233	99	124	93
	072/095	40.2	33.0	23.4	16	10	5	375	287	195	387	164	205	154
	102/125	41.5	34.2	23.7	22	16	6	456	361	227	616	260	327	245
	122/145	42.5	35.3	24.9	23	17	9	672	489	288	769	324	408	306

* max. 10 VDC / med. 7 VDC / min. 3 VDC

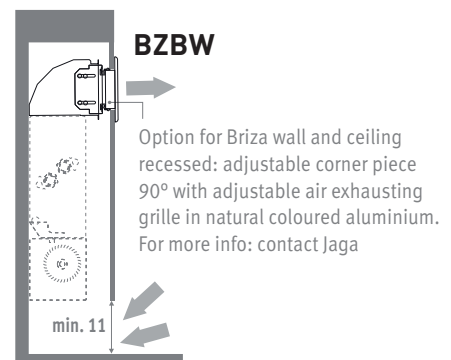
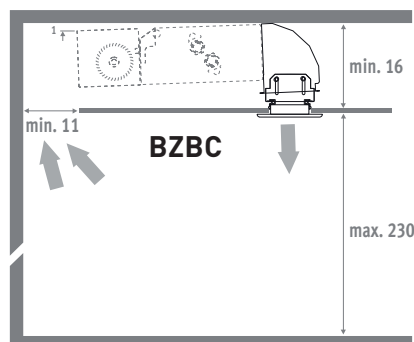
** With an assumed room attenuation of 8 dB(A) / content of the room 75 m³ / reverberation time 0.5 sec. / measured at 1 m height and 2 m from the appliance.

Correction factors & pressure drop:
see "Technical info" chapter

INSTALLATION CEILING-MOUNTED MODEL

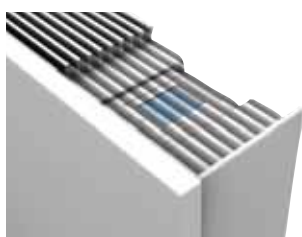


INSTALLATION BUILT-IN MODEL WITH AIR OUTLET CORNER PIECE



BRIZA - OPTIONS

BUILT-IN THERMOSTAT FOR HEATING/COOLING, 3 SPEEDS - 230V



- for 2 or 4 pipe wall mounted model with casing
- LCD display
- Can be programmed for 8 half-days
- automatic or manual changeover between heating and cooling
- on/off or 3-position control outputs
- speed selection: automatic or manual
- Briza automatically switches fans via a temperature sensor:
 - heating onwards of 28°C
 - cooling below 18°C
- operational modes: comfort, energy saving, and frost protection
- including fully assembled two-way valve and 230 VDC power supply
- pre-installed 230 VAC to 24 VDC power supply for the activators
- also order sleeve couplings M24.

CODE	Surcharge €
/T	502,70

Add /T to the code of Briza.
Example: BZMW. 041 072. XXX /20 /T

SLEEVE COUPLINGS M24

PRECISION METAL TUBE		
CODE	Description	€/p.
5094.110	∅ M24 x 10/1	2,20
5094.112	∅ M24 x 12/1	2,20
5094.114	∅ M24 x 14/1	2,20
5094.115	∅ M24 x 15/1	2,20
5094.116	∅ M24 x 16/1	2,20
5094.118	∅ M24 x 18/1	2,20

SYNTHETIC TUBE		
CODE	Description	€/p.
5094.212	∅ M24 x 12/2	2,90
5094.214	∅ M24 x 14/2	2,90
5094.219	∅ M24 x 16/1.5	2,90
5094.216	∅ M24 x 16/2	2,90
5094.217	∅ M24 x 17/2	2,90
5094.218	∅ M24 x 18/2	2,90

RPE/ALU TUBE		
CODE	Description	€/p.
5094.314	∅ M24 x 14/2	3,50
5094.316	∅ M24 x 16/2	3,50
5094.326	∅ M24 x 16/2.2	3,50
5094.318	∅ M24 x 18/2	3,50

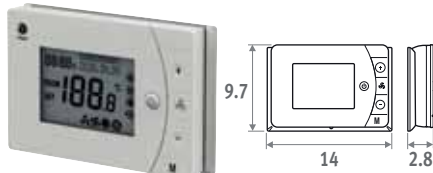
STEEL TUBE FOR C.H.		
CODE	Description	€/p.
5094.501	∅ M24 x 1/2"	4,60

OPTIONS - BRIZA

CLOCK THERMOSTATS HEATING / COOLING

- automatic thermostat for
 - 2-pipe: heating/cooling or auto
 - 4-pipe: heating/cooling or auto
- ventilator speed: min./med./max. or auto
- power supply 24 VDC
- output control 0-10 VDC
- 1 clock thermostat per room
- 3 programmable zones: 5+1+1
- LCD display with background lighting
- protection category IP30

Jaga clock thermostat for wall mounting



- suitable for use in combination with control for multiple rooms (7990.035)
- 2 potential-free contacts heating/cooling (f.e. valve control 24 VDC or 230 VAC)
- with key card contact / window contact
- can be mounted on a junction box with screw holes at 6 cm

CODE		€
8751.050013	wall mounted	71,30

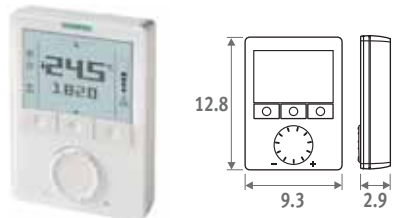
Jaga clock thermostat for recessed/panel mounting



- DO NOT USE in combination with control for multiple rooms (7990.035)
- control valves 24 VDC heating/cooling
- thermostat to be mounted in a junction box
 - spacing holes at 6 cm
 - minimum depth 4.5 cm
 - inner dimension 5 x 5 cm or Ø 6 cm

CODE		€
8751.050012	recessed/panel mounted	75,50

Siemens clock thermostat for wall mounting

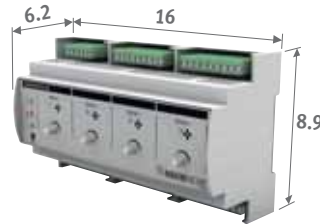


- unlimited adjustment possibilities: 74 features and diagnostic test
- Detailed information: downloads.theradiatorfactory.com/downloadcenter/general/SiemensRDG160T.zip

CODE		€
8751.050009	wall mounted	223,70

CONTROL FOR MULTIPLE ROOMS

ONLY APPLICABLE WITH 2-PIPE SYSTEM !



- control for:
 - max. 4 zones
 - heating AND cooling with three-way valves
 - heating OR cooling with one two-way valve per room
 - fans via 0-10 VDC signal
 - only manual speed control of the fan(s) per room by separate rotary knob
- use thermostats fitted with a potential-free contact
- with built-in power supply 24 VDC - 50 watts, use an external power supply when higher output is required (see below)
- contacts by screw connectors
- LED display per area
- din rail mountable
- degree of protection: IP20 - EN 60529

CODE	€
7990.035	471,90

POWER SUPPLY



The guarantee is only valid if the original Jaga power supply is used.

	D	L	D
CODE	H	L	D
7990.050	9.3	7.8	5.6
7990.051	9.3	7.8	5.6
7990.052	9.3	10.0	5.6
7990.053	12.5	12.6	8.3

- for DIN-rail or wall mounting
- conformity: UL60950 - EN 60950 / Class 2
- output voltage 24 VDC
- input voltage 100 - 240 VAC
- screw connection
- LED indicator

CODE	output Watts	Output current A	€
7990.050	36	1.5	85,20
7990.051	60	2.5	109,10
7990.052	100	4.2	132,70
7990.053	240	10	147,00

Required power = sum of the power consumption of the devices

MAXIMUM CABLE LENGTH

in function of the number of devices: see <http://catalogue.theradiatorfactory.com/ex#briza>

CONNECTION SET 24 VDC



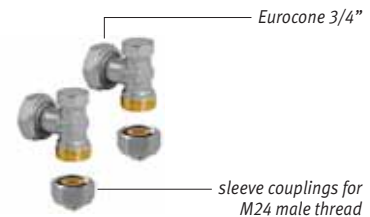
- 24 VDC, 24 VDC 0-10V or 230 VAC thermoelectric drive
- valve Eurocone 3/4" x M24 90°
- lockshield Eurocone 3/4" x M24 90°
- pressure drop graph Jaga valve: see p. 176

set 95 Kv max. 0.6 TWO PIPE

CODY.SC5.24.3...	24 VDC	91,70
CODY.SC5.23.3...	230 VAC	91,70
CODY.SC5.10.3...	0...10 VDC	158,70

fill in sleeve coupling code: see p. 167

CONNECTION SET WITH 2 LOCKSHIELDS M24 90°



set 96

CODY.LOB.00.3...	38,00
------------------	-------

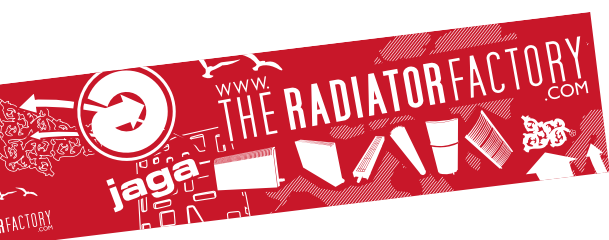
fill in sleeve coupling code: see p. 167

JAGA TWO-WAY VALVE AND THERMOELECTRIC DRIVE 230V



- only for mounting on the distributor, not in the Briza!
- with varistor to protect against power surge
- with position indicator (open/closed)
- sleeve couplings have to be provided by the installer

CODE	Description	€
7990.409	180° - G1/2" F / NG 230V 2Watts	77,80
7990.411	180° - G3/4" F / NG 230V 2Watts	87,80



Jaga International
Verbindingslaan z/n
B-3590 Diepenbeek

Tel.: +32 (0)11 29 41 16
Fax: +32 (0)11 29 41 60
export@jaga.be

The information in this price list is correct at the time of printing.
Jaga reserves the right to change product specification at any time in line
with our policy of continuous improvement and innovation.
All prices in Euro, exclude VAT. Prices valid from 1st August 2016.
Replaces all existing price lists.